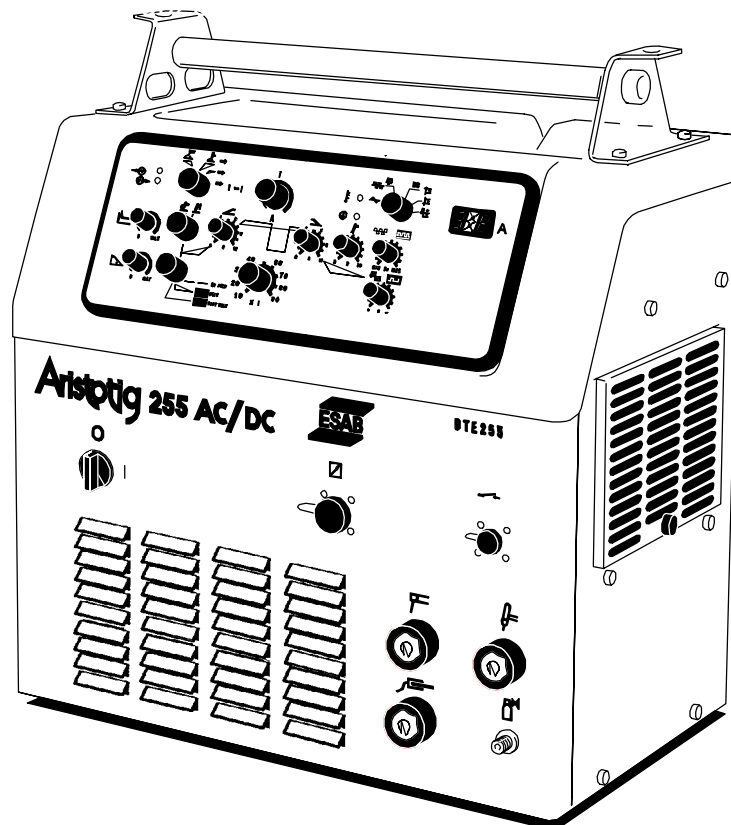




# ***Aristotig 255 AC/DC***

***DTE 255***



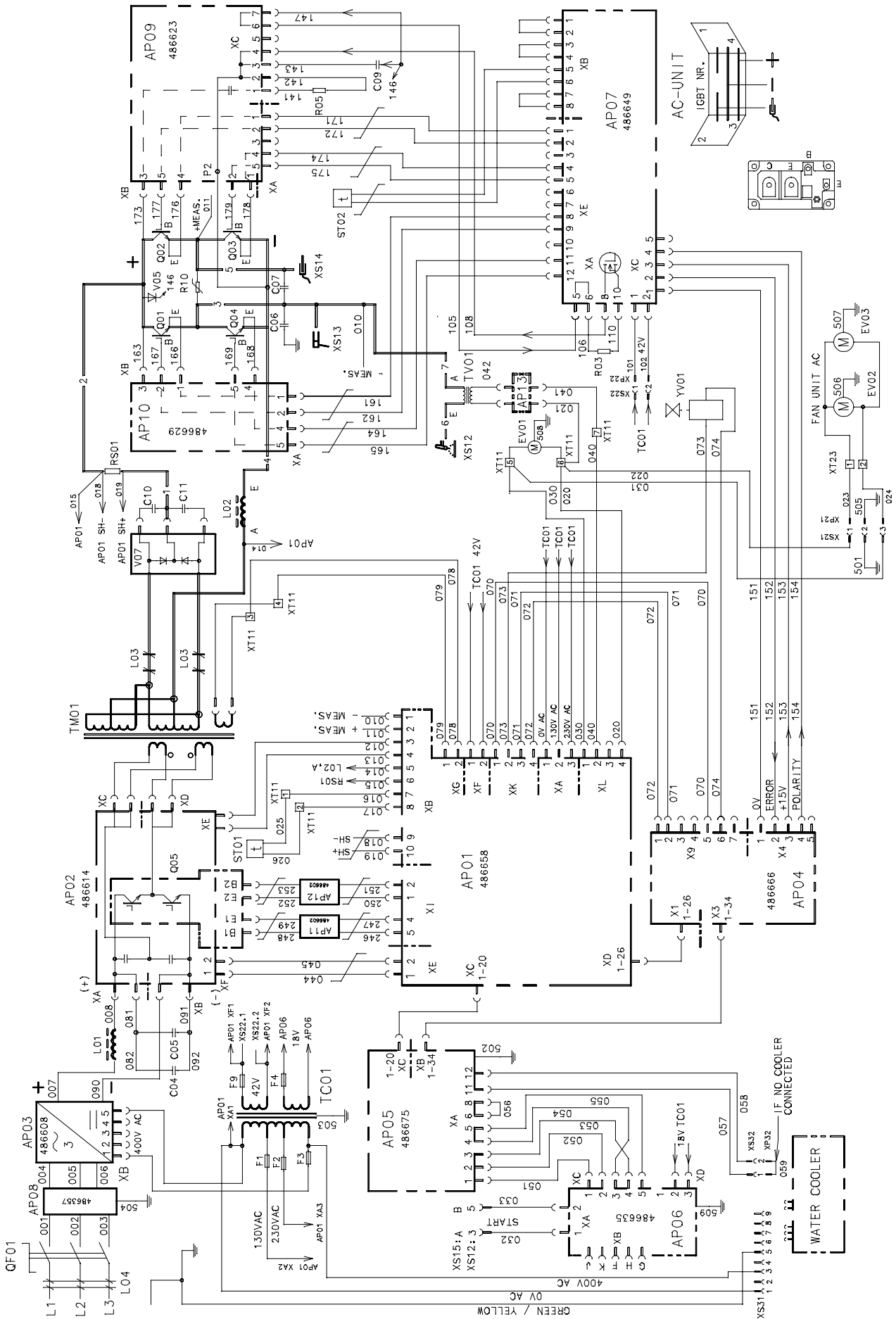
**Bruksanvisning  
Brugsanvisning  
Bruksanvisning  
Käyttöohjeet  
Instruction manual  
Betriebsanweisung  
Manuel d'instructions**

**Gebruiksaanwijzing  
Instrucciones de uso  
Istruzioni per l'uso  
Manual de instruções  
Οδηγίες χρήσεως  
Instrukcja obs³ugi**

SVENSKA .....	3
DANSK .....	17
NORSK .....	32
SUOMI .....	47
ENGLISH .....	61
DEUTSCH .....	75
FRANÇAIS .....	90
NEDERLANDS .....	105
ESPAÑOL .....	120
ITALIANO .....	135
PORTUGUÊS .....	150
ΕΛΛΗΝΙΚΑ .....	165
POLSKI .....	180

Rätt till ändring av specifikationer utan avisering förbehålles.  
 Ret til ændring af specifikationer uden varsel forbeholdes.  
 Rett til å endre spesifikasjoner uten varsel forbeholdes.  
 Oikeudet muutoksiin pidätetään.  
 Rights reserved to alter specifications without notice.  
 Änderungen vorbehalten.  
 Sous réserve de modifications sans avis préalable.  
 Recht op wijzigingen zonder voorafgaande mededeling voorbehouden.  
 Reservado el derecho de cambiar las especificaciones sin previo aviso.  
 Ci riserviamo il diritto di variare le specifiche senza preavviso.  
 Reservamo-nos o direito de alterar as especificações sem aviso prévio.  
 Διατηρείται το δικαίωμα τροποποίησης προδιαγραφών Χωρίς προειδοποίηση.  
 Zastrzegamy sobie prawo do wprowadzenia zmian.

Schema Skema Skjema Johdotuskaavio Diagram Schaltplan Schéma  
 Schema Esquema Schema Esquema Σχήμα σύνδεσης Schemat



**Komponentförteckning Komponentfortegnelse Deleliste Osaluettelo List of components Komponentenverzeichnis Liste des composants Lijst van componenten Lista de componentes Elenco componenti Lista de componentes Πίνακας εξαρτημάτων Spis części**

**C = Component designation in the circuit diagram**

<b>C</b>	<b>Denomination</b>	<b>C</b>	<b>Denomination</b>
AP01	Circuit board (DC control board)	R03, R05	Resistor
AP02	IGBT board	RS01	Shunt
AP03	Circuit board (Mains rectifier)	ST01, ST02	Thermal guard (PTC)
AP04	Circuit board (Processor board)	TC01	Control transformer
AP05	Panel board	TM01	Main transformer
AP06	Circuit board (Remote control outlet)	TV01	HF coil
AP07	Circuit board (AC control board )	V05	Diode
AP08	EMC filter	V07	Diode module
AP09	Circuit board (Snubber A)	XP21	Connector male
AP10	Circuit board (Snubber B)	XS12	Terminal (TIG)
AP11, AP12	Safety board	XS13	Terminal for MMA
AP13	HF-device	XS14	Terminal for workpiece
C04- C06	Capacitor	XS15	Connector (TIG start)
C09 - C11	Capacitor	XS21	Connector female
EV01-EV03	Fan	XS22, XP22	Connector
F1-F4	Fuse	XS31	Connector for cooler
F9	Fuse	XS32	Connector
L01	Inductor	XT23	Terminal block
L02	Secondary inductor	YV01	Solenoid valve
Q01-Q04	IGBT module (AC unit)		
Q05	IGBT module (DC unit)		
QF01	3-pole mains switch		

Reservdelsförteckning Reservdelsfortegnelse Reservdelsliste  
 Varaosaluettelo Spare parts list Ersatzteilliste Liste de pièces détachées  
 Reserveonderdelenlijst Lista de repuestos Elenco ricambi Lista de peças  
 sobressalentes Πίνακας ανταλλακτικών μερών Spis czêłci zapasowych

DTE 255

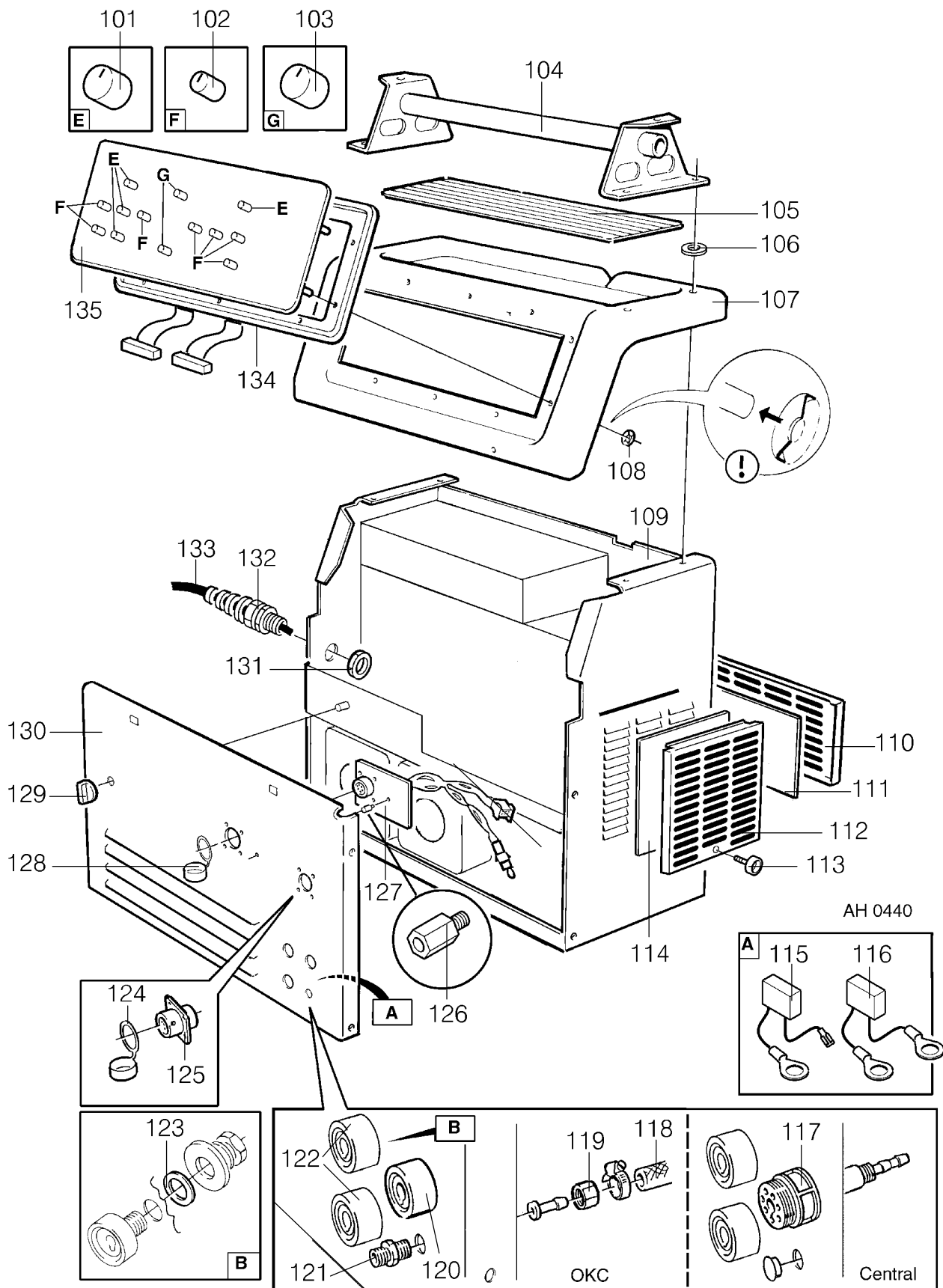
Edition 981103



Ordering no.	Denomination	Notes
0301 035 880	DTE 255	with central connection for the TIG torch
0301 035 881	DTE 255	with OKC connection for the TIG torch

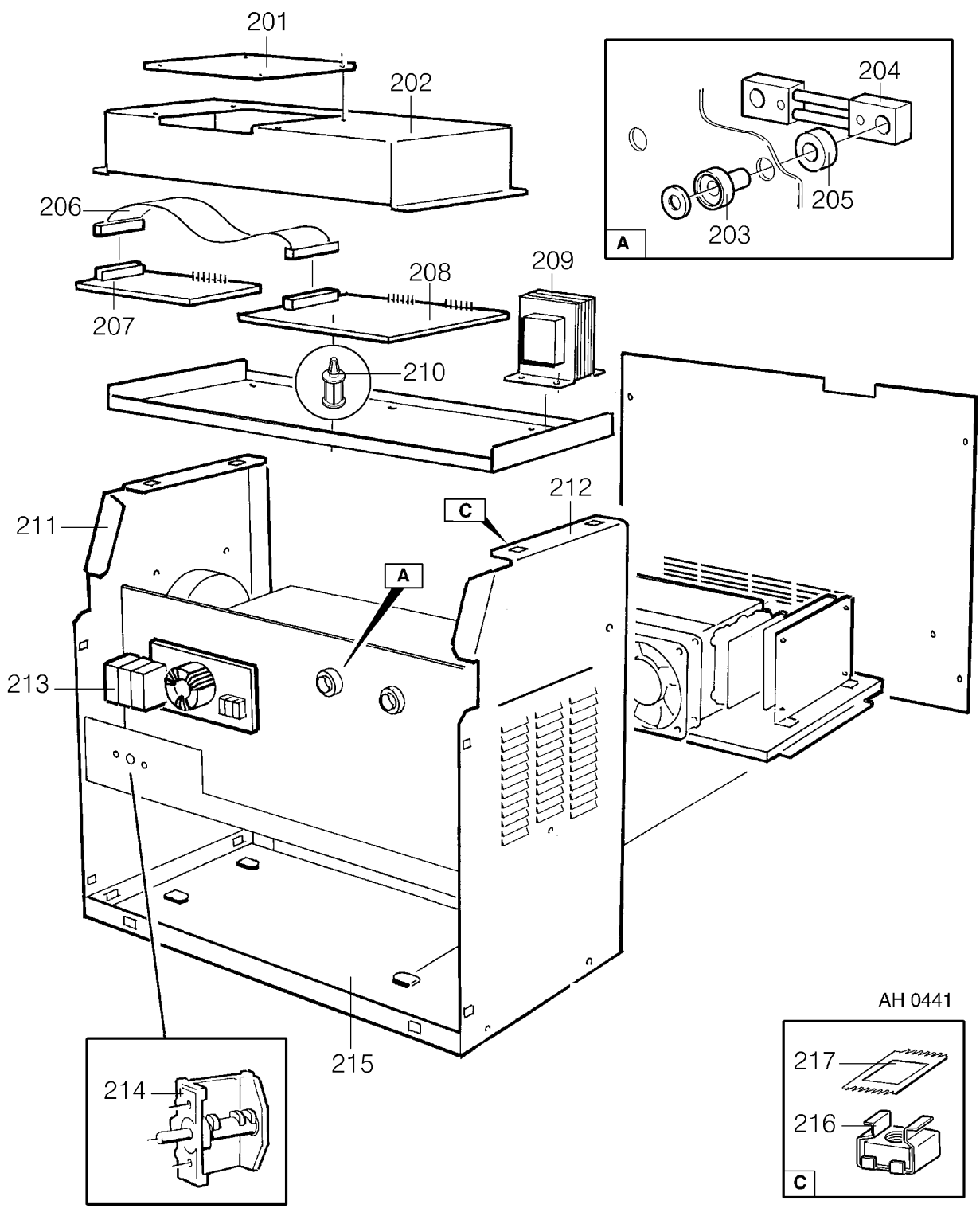
C = Component designation in the circuit diagram

Item no.	Qty	Ordering no.	Denomination	Notes	C
101	4	0192 296 104	Knob		
102	7	0191 508 102	Knob		
103	2	0192 296 102	Knob		
104	1	0468 543 882	Handle		
105	1	0468 529 001	Rubber mat		
106	4	0365 534 001	Sealing washer		
107	1	0301 015 001	Cover	When the cover is replaced, items 108 and 134 must also be replaced	
108	10	0192 859 006	Locking washer	Must be pressed with 50 kg pressure when fitted.	
109	1	0301 021 001	Rear plate		
110	1	0301 028 001	Grill		
111	1	0301 054 001	Filter		
112	1	0301 027 001	Grill		
113	3	0441 819 001	Screw		
114	1	0301 053 001	Filter		
115	1	0457 817 881	Capacitor	47 nF, 275 V AC	C06
116	1	0457 817 880	Capacitor	47 nF, 1000 V AC	C07
117	1	0367 258 880	Central connection		XS12
118		0190 209 114	Hose		
119		0156 867 001	Nipple		
120	1	0156 868 880	OKC-TIG for machines without central connection		XS12
121		0252 103 501	Gas connection		
122	2	0160 362 881	OKC		XS13, XS14
123	2	0466 325 001	Gasket for machines with central connection		
	3	0466 325 001	Gasket for machines without central connection		
124	1	0457 626 001	Protective cap		
125	1	0538 500 902	Connector socket for machines with OKC-TIG		XS15
126	1	0394 516 005	Spacer		
127	1	0486 634 880	Circuit board with connector		AP06
128	1	0366 285 001	Protective cap		
129	1	0366 296 003	Knob		
130	1	0301 049 001	Front plate		
131	1	0212 602 202	Nut		
132	1	0193 307 105	Cable clamp		
133	1	0467 696 886	Mains cable		
-	2	0194 034 002	Ferrite ring core		L04
134	1	0468 304 001	Rubber seal		
135	1	0301 069 881	Panel complete	Front panel, circuit board AP05, 13 knobs (items 101, 102 and 103) and 12 locking washers (item 108) are included. When replacing item 135, item 134 must also be replaced.	AP05

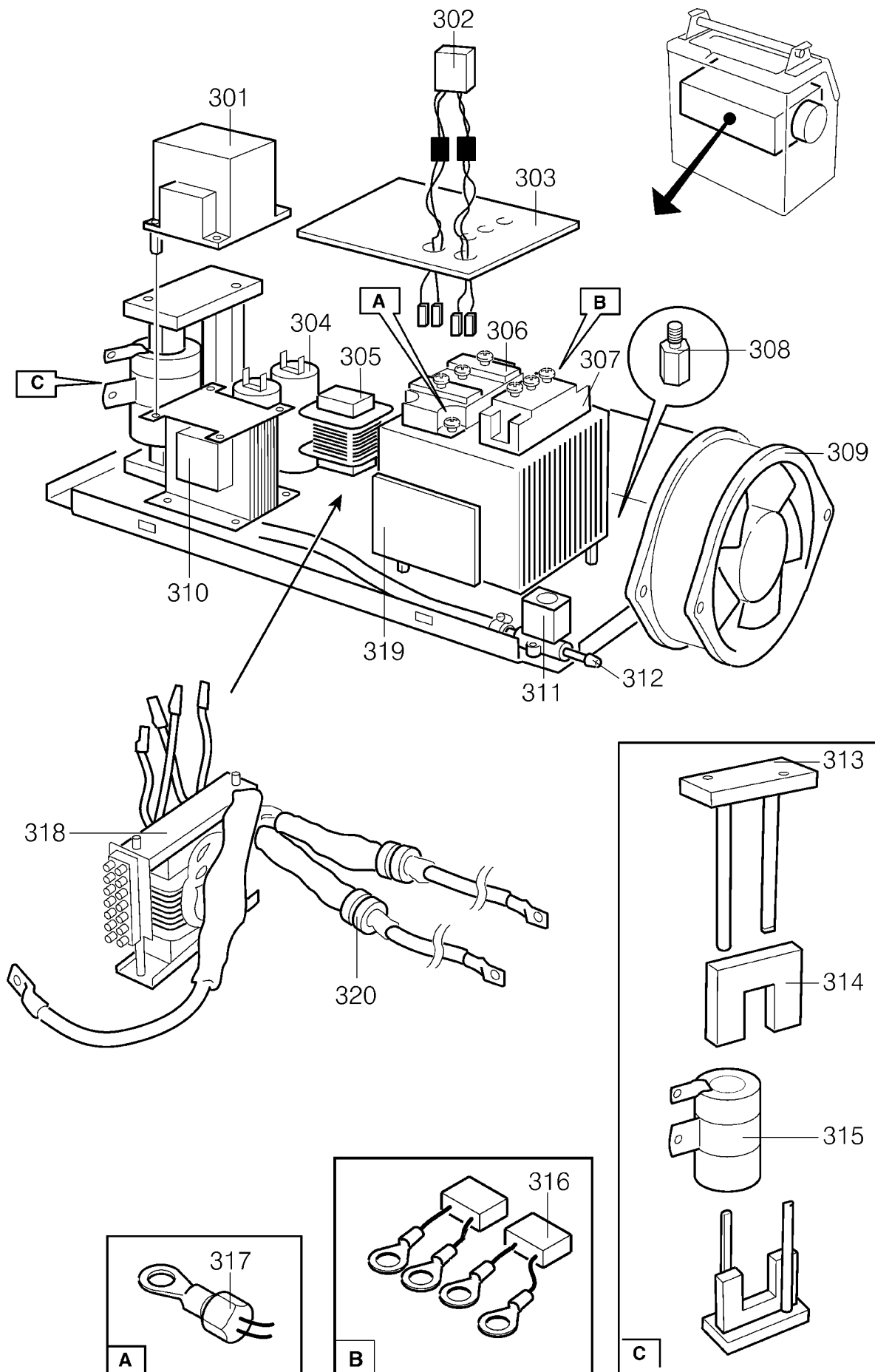


Item no.	Qty	Ordering no.	Denomination	Notes	C
201	1	0301 075 001	Cover		
202	1	0301 014 001	Screening box		
203	2	0162 414 001	Insulating tube		
204	1	0301 041 001	Shunt	250 A / 60 mV	RS01
205	2	0163 139 001	Bushing		
206	1	0193 700 401	Ribbon cable		
207	1	0486 657 880	Circuit board		AP01
208	1	0486 665 880	Circuit board		AP04
209	1	0301 006 001	Control transformer		TC01
210	10	0192 790 103	Spacer		
211	1	0301 016 001	Side panel (left)		
212	1	0301 017 001	Side panel (right)		
213	1	0486 356 880	Circuit board	EMC filter	AP08
214	1	0366 295 004	Switch		QF01
215	1	0301 033 001	Base plate		
216	4	0192 562 105	Cage nut	M6	
217	4	0320 029 002	Ground stud		

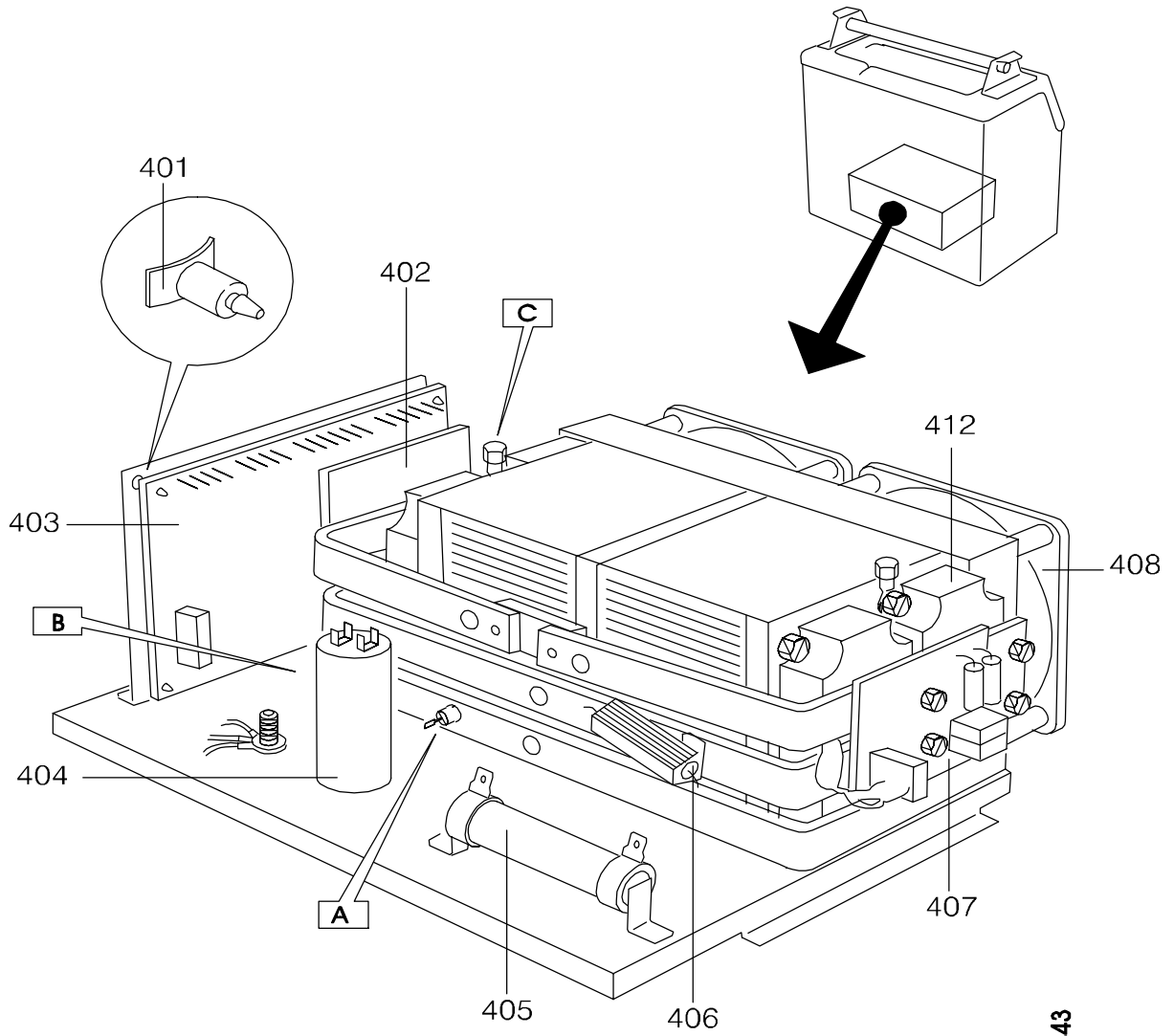




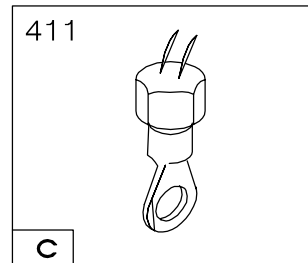
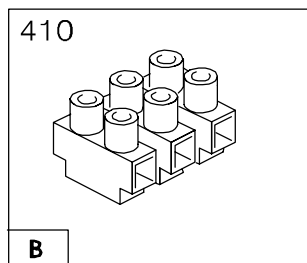
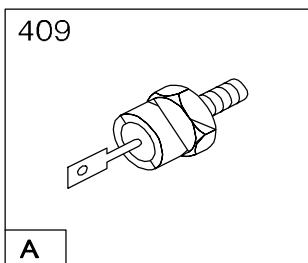
Item no.	Qty	Ordering no.	Denomination	Notes	C
301	1	0367 268 002	HF unit		AP13
302	1	0486 603 880	IGBT connection		AP11, AP12
303	1	0486 613 880	Circuit board	IGBT	AP02
304	2	0191 085 208	Capacitor	10 $\mu$ F, 450 V AC	C04, C05
305	1	0365 591 882	Primary inductor		L01
306	1	0194 073 001	IGBT module		Q5
307	1	0194 067 001	Diode module		V07
308	4	0394 516 031	Spacer screw		
309	1	0466 109 001	Fan	230 V	EV01
310	1	0301 026 880	Secondary inductor		L02
311	1	0193 054 002	Solenoid valve		YV01
312	1	0193 054 104	Gas nipple		
313	2	0467 755 001	Attachment		
314	2	0466 895 001	Ferrite core		
315	1	0457 841 880	HF coil		TV01
316	2	0320 805 887	Capacitor	0.01 $\mu$ F, 1000 V	C10, C11
317	1	0194 050 001	PTC resistor		ST01
318	1	0301 007 880	Main transformer	Item 320 is included	TM01
319	1	0486 607 880	Circuit board	Mains rectifier	AP03
320	4		Ferrite ring cores	Included in TM01	L03



Item no.	Qty	Ordering no.	Denomination	Notes	C
401	6	0455 226 004	Spacer		
402	1	0486 622 880	Circuit board		AP09
403	1	0486 648 880	Circuit board		AP07
404	1	0191 085 208	Capacitor	10 $\mu$ F, 450 V AC	C09
405	1	0349 061 004	Resistor	120 $\Omega$ , 80 W	R03
406	1	0192 579 206	Resistor	1 $\Omega$ , 50 W	R05
407	1	0486 628 880	Circuit board		AP10
408	2	0365 539 001	Fan	230 V	EV02, EV03
409	1	0194 065 001	Diode		V05
410	1	0193 045 011	Terminal block		XT23
411	1	0194 050 001	PTC resistor		ST02
412	4	0194 083 001	IGBT-module		Q01-Q04



AH 0443



# ESAB subsidiaries and representative offices

## Europe

### AUSTRIA

ESAB Ges.m.b.H  
Vienna-Liesing  
Tel: +43 1 888 25 11  
Fax: +43 1 888 25 11 85

### BELGIUM

S.A. ESAB N.V.  
Brussels  
Tel: +32 2 745 11 00  
Fax: +32 2 726 80 05

### THE CZECH REPUBLIC

ESAB VAMBERK s.r.o.  
Prague  
Tel: +420 2 819 40 885  
Fax: +420 2 819 40 120

### DENMARK

Aktieselskabet ESAB  
Copenhagen-Valby  
Tel: +45 36 30 01 11  
Fax: +45 36 30 40 03

### FINLAND

ESAB Oy  
Helsinki  
Tel: +358 9 547 761  
Fax: +358 9 547 77 71

### FRANCE

ESAB France S.A.  
Cergy Pontoise  
Tel: +33 1 30 75 55 00  
Fax: +33 1 30 75 55 24

### GERMANY

ESAB GmbH  
Solingen  
Tel: +49 212 298 0  
Fax: +49 212 298 204

### GREAT BRITAIN

ESAB Group (UK) Ltd  
Waltham Cross  
Tel: +44 1992 76 85 15  
Fax: +44 1992 71 58 03

ESAB Automation Ltd  
Andover  
Tel: +44 1264 33 22 33  
Fax: +44 1264 33 20 74

### HUNGARY

ESAB Kft  
Budapest  
Tel: +36 1 20 44 182  
Fax: +36 1 20 44 186

### ITALY

ESAB Saldatura S.p.A.  
Mesero (Mi)  
Tel: +39 02 97 96 81  
Fax: +39 02 97 28 91 81

### THE NETHERLANDS

ESAB Nederland B.V.  
Utrecht  
Tel: +31 30 248 59 22  
Fax: +31 30 248 52 60

## NORWAY

AS ESAB  
Larvik  
Tel: +47 33 12 10 00  
Fax: +47 33 11 52 03

## POLAND

ESAB Sp.z.o.o  
Warszaw  
Tel: +48 22 813 99 63  
Fax: +48 22 813 98 81

## PORTUGAL

ESAB Lda  
Lisbon  
Tel: +351 1 837 1527  
Fax: +351 1 859 1277

## SLOVAKIA

ESAB Slovakia s.r.o.  
Bratislava  
Tel: +421 7 44 88 24 26  
Fax: +421 7 44 88 87 41

## SPAIN

ESAB Ibérica S.A.  
Alcobendas (Madrid)  
Tel: +34 91 623 11 00  
Fax: +34 91 661 51 83

## SWEDEN

ESAB Sverige AB  
Gothenburg  
Tel: +46 31 50 95 00  
Fax: +46 31 50 92 22

ESAB International AB  
Gothenburg  
Tel: +46 31 50 90 00  
Fax: +46 31 50 93 60

## SWITZERLAND

ESAB AG  
Dietikon  
Tel: +41 1 741 25 25  
Fax: +41 1 740 30 55

## North and South America

### ARGENTINA

CONARCO  
Buenos Aires  
Tel: +54 11 4 753 4039  
Fax: +54 11 4 753 6313

### BRAZIL

ESAB S.A.  
Contagem-MG  
Tel: +55 31 333 43 33  
Fax: +55 31 361 31 51

### CANADA

ESAB Group Canada Inc.  
Mississauga, Ontario  
Tel: +1 905 670 02 20  
Fax: +1 905 670 48 79

### MEXICO

ESAB Mexico S.A.  
Monterrey  
Tel: +52 8 350 5959  
Fax: +52 8 350 7554

### USA

ESAB Welding & Cutting Products  
Florence, SC  
Tel: +1 843 669 44 11  
Fax: +1 843 664 44 58

## Asia/Pacific

### AUSTRALIA

ESAB Australia Pty Ltd  
Ermington  
Tel: +61 2 9647 1232  
Fax: +61 2 9748 1685

### CHINA

Shanghai ESAB A/P  
Shanghai  
Tel: +86 21 6539 7124  
Fax: +86 21 6543 6622

### INDIA

ESAB India Ltd  
Calcutta  
Tel: +91 33 478 45 17  
Fax: +91 33 468 18 80

### INDONESIA

P.T. Esabindo Pratama  
Jakarta  
Tel: +62 21 460 01 88  
Fax: +62 21 461 29 29

### MALAYSIA

ESAB (Malaysia) Snd Bhd  
Selangor  
Tel: +60 3 703 36 15  
Fax: +60 3 703 35 52

### SINGAPORE

ESAB Singapore Pte Ltd  
Singapore  
Tel: +65 861 43 22  
Fax: +65 861 31 95

ESAB Asia/Pacific Pte Ltd  
Singapore  
Tel: +65 861 74 42  
Fax: +65 863 08 39

### SOUTH KOREA

ESAB SeAH Corporation  
Kyung-Nam  
Tel: +82 551 2 89 81 11  
Fax: +82 551 289 88 63

### THAILAND

ESAB (Thailand) Ltd  
Samutprakarn  
Tel: +66 2 393 60 62  
Fax: +66 2 748 71 11

### UNITED ARAB EMIRATES

ESAB Middle East  
Dubai  
Tel: +971 4 338 88 29  
Fax: +971 4 338 87 29

## Representative offices

### BULGARIA

ESAB Representative Office  
Sofia  
Tel/Fax: +359 2 974 42 88

### EGYPT

ESAB Egypt  
Dokki-Cairo  
Tel: +20 2 390 96 69  
Fax: +20 2 393 32 13

## ROMANIA

ESAB Representative Office  
Bucharest  
Tel/Fax: +40 1 322 36 74

## RUSSIA-CIS

ESAB Representative Office  
Moscow  
Tel: +7 095 937 98 20  
Fax: +7 095 937 95 80

ESAB Representative Office  
St Petersburg  
Tel: +7 812 325 43 62  
Fax: +7 812 325 66 85

## Distributors

*For addresses and phone numbers to our distributors in other countries, please visit our home page*

[www.esab.com](http://www.esab.com)



ESAB Welding Equipment AB  
SE-695 81 LAXÅ  
SWEDEN  
Phone +46 584 81 000  
Fax +46 584 123 08

[www.esab.com](http://www.esab.com)

